

.475

.415 MIN
THD LENGTH

30°

.060

$\phi .519$

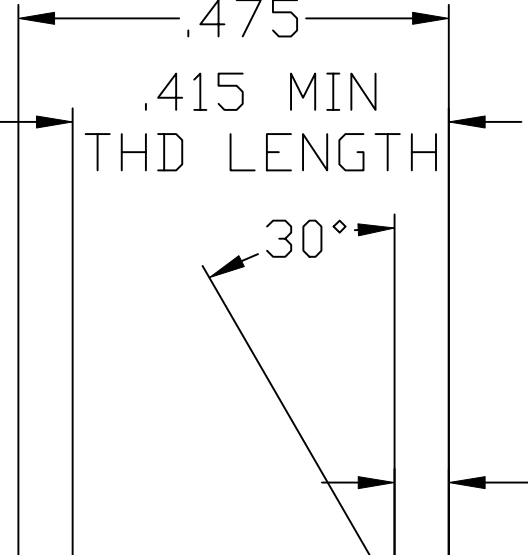
$\text{◎} .005$ A

$\text{⊥} .005$ A

.578-28 UNS-3A
 PITCH $\phi .5548 - .5520$
 MAJOR $\phi .5780 - .5715$
 MINOR $\phi .5393 - .5288$

$\text{◎} .005$ A

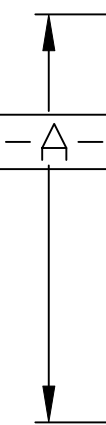
-A-



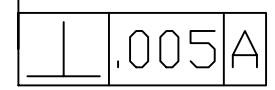
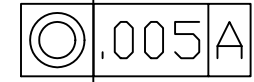
.475
.415 MIN
THD LENGTH

30°

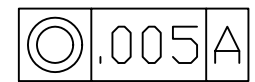
.060



Ø.565



M 16 X 1 RH
PITCH Ø .5548 - .5520
MAJOR Ø .5780 - .5715
MINOR Ø .5873 - .57714



.475
.415 MIN
THD LENGTH
30°
.060

-A-

∅.565
◎.005A

⊥.005A

M 16 X 1 LH
PITCH∅ .5548 - .5520
MAJOR∅ .5780 - .5715
MINOR ∅.5873-.57714

◎.005A